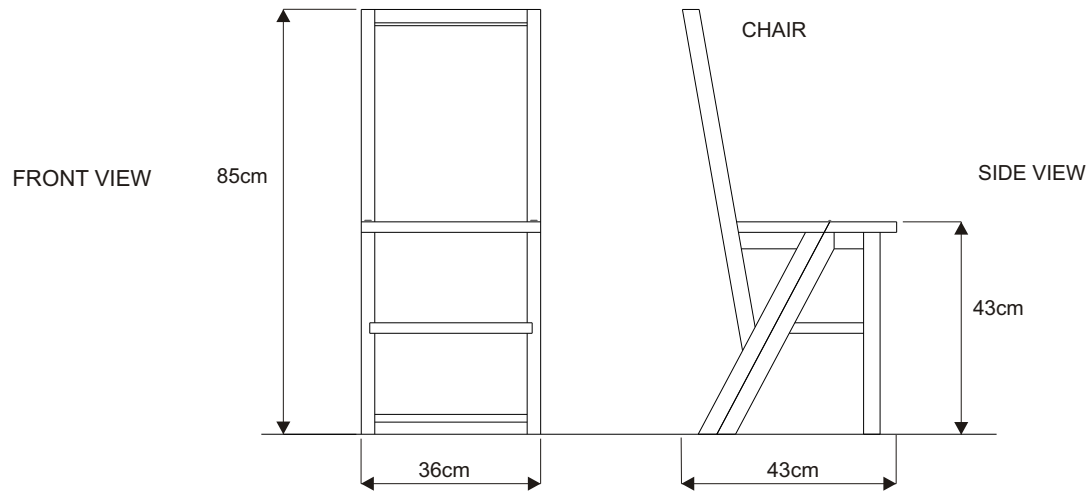
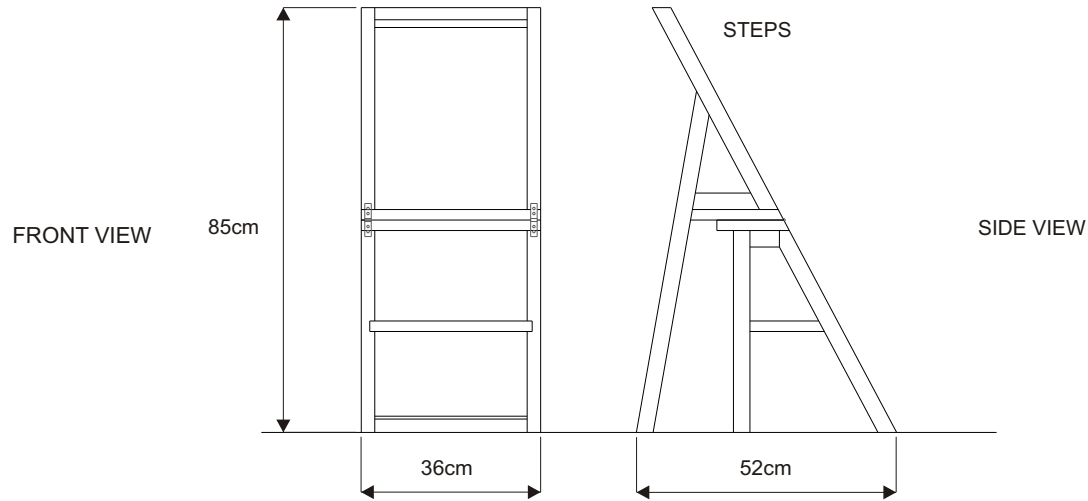


Iford Step Chair. Specification Sheet.



CHARLIE CAFFYN
FURNITURE



Cherry

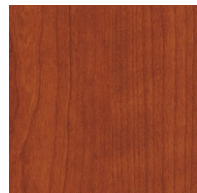
Finished with 3 coats of
Liberon Finishing Oil.

Wipe clean with a non abrasive
slightly damp cloth, no coarse
cleaning products.
An occasional application of
beeswax will help to protect
the wood.

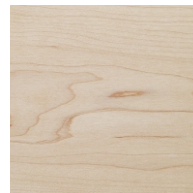
Keep away from sources of
heat and damp, and also direct
sunlight will effect the colour of
the wood.



Ash



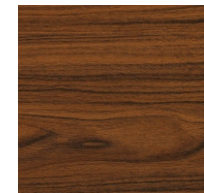
Cherry



Maple



Oak



Walnut