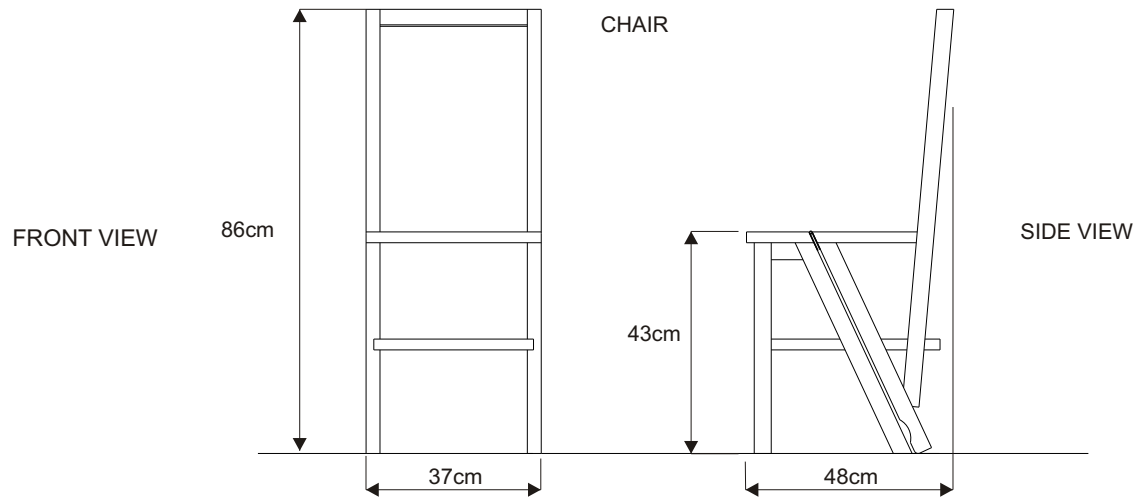
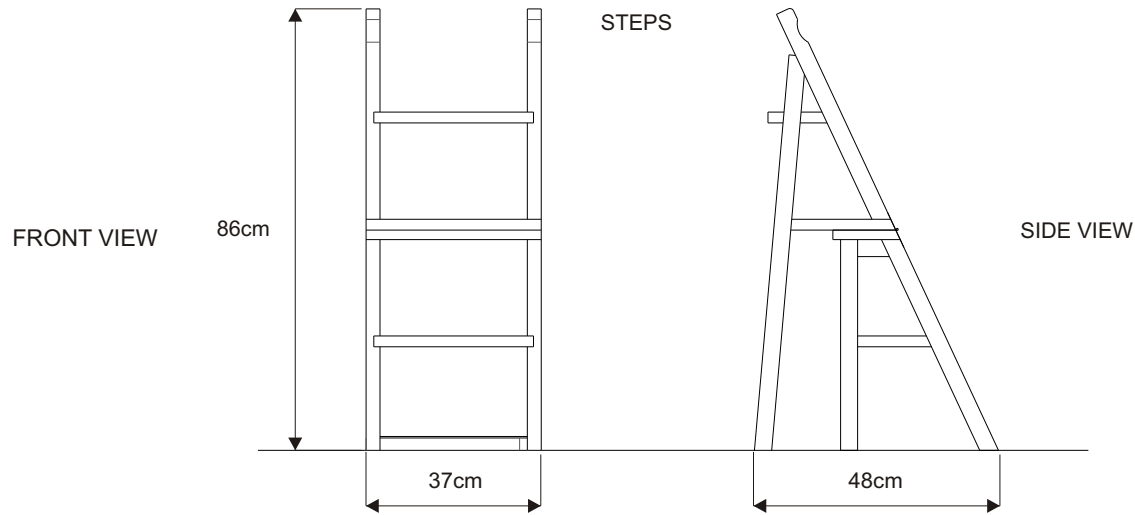


Iford Step Chair. Specification Sheet.



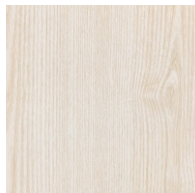
CHARLIE CAFFYN
FURNITURE



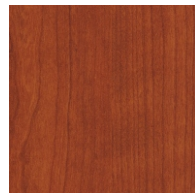
Oak

Finished with a clear Osmo environmentally friendly varnish, which leaves the wood its natural colour. The piece can also be Oiled and waxed, to create a darker finish.

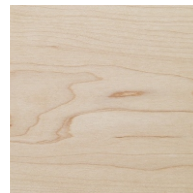
Wipe clean with a non abrasive slightly damp cloth, no coarse cleaning products. An occasional application of beeswax will help to protect the wood.



Ash



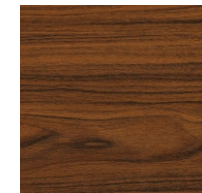
Cherry



Maple



Oak



Walnut